

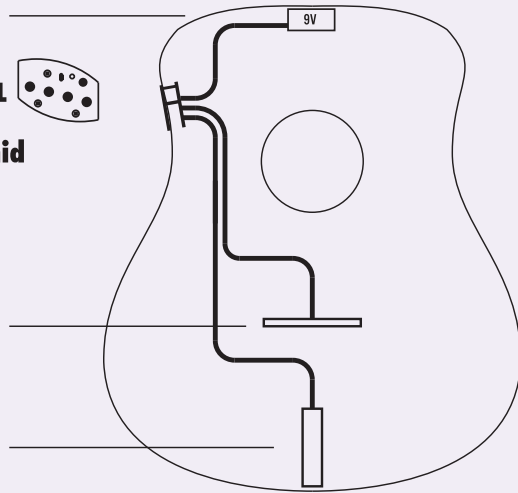
9V battery

ONBOARD CONTROL

- volume
- bass / treble / mid
- PAD
- battery check

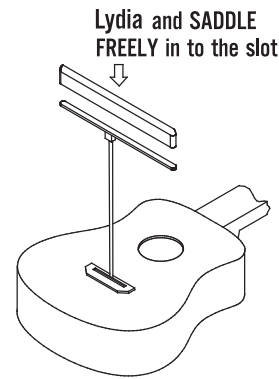
UNDERSADDLE TRANSDUCER

END-PIN JACK
∅ 12mm (1/2")

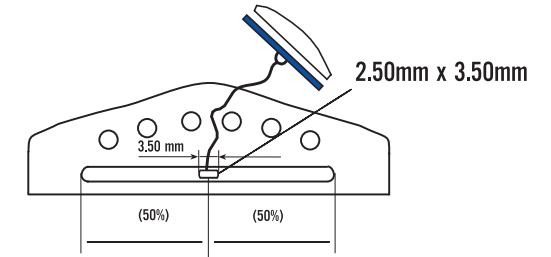


LYDIA ONBOARD guitars for steelstring

LYDIA FOR STEEL-STRING - POSITIONING



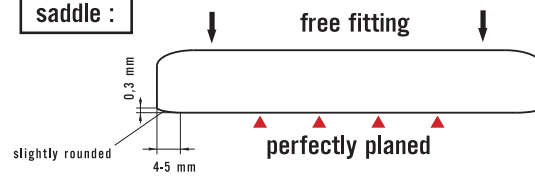
western/steel-string



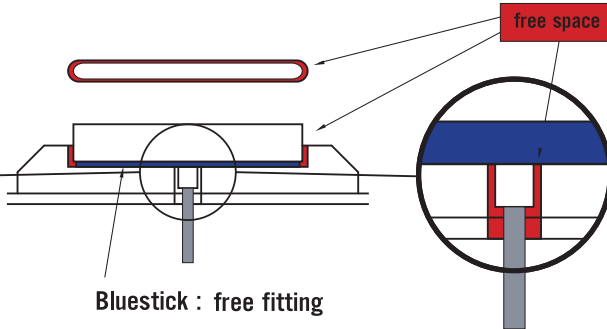
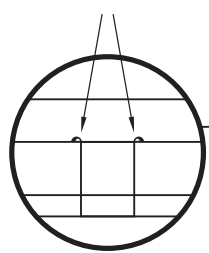
saddle slot :



saddle :



no splinters



POSITION OF THE SADDLE BY REPLACING OF THE STRINGS

